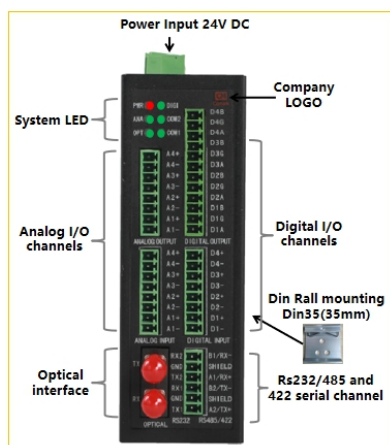


Multiple Channels Analog/Digital/Serial RS232/485/422 to Fiber Optic Converter

Product Overview



This series converter is a type of multi-channel analog signal, the digital signal, and serial ports RS232/485/422 fiber conversion multiplexing equipment. It adopts the latest ARM chip, which is quite stable, reliable and low power, supports 1 ~ 4 channels the contact closure signal, 1 ~ 4 channel analog (voltage/current), 1 ~ 2 channel RS232/485 or a channel RS422 signal in the fiber alone or multiplexing transmission. It requires no change of the user communication protocol and solves the problem of electromagnetic interference, ground ring interference and thunder destroys, which greatly improve the signal reliability, safety and confidentiality, at the same time solve the problem of traditional mode of short distant transmission. Protection grade is IP30, strengthen cabinet, 35mmDIN guide installation, industrial standard DC24V power supply, possess the protection function of power polarity reverse connect.

Features

Analog signal interface:

- Voltage/Current analog signal (0-5)V/(0-10)V/(4-20)mA optional.
- Support 1 ~ 4 channel voltage/current analog signal.
- Reference accuracy 0.5-1%
- Update rates (1000-2000)Hz
- Signal resolution 10bit
- Time delay <10ms
- Voltage signal interface parameters: Voltage transmission rang (0-5) VDC or (0-10) VDC ;Input impendency 100KΩ
- (4-20 mA) electrical flow interface) parameters: Maximum load capacity 500Ω ,Input resistance 51Ω

Contact closure signal/TTL digital signal interface:

- Independent 1 ~ 4 channel input, 1~4 channel output.
- Dry contacts input: short circuit or open.
- Relay output form: FORM C(SPDT): Relay-operating time 6ms ;Relay release time 3ms ;Total switch time 10ms;Relay contacts capacity 1A/24VDC
- Transmission delay time: 2 ms
- The maximum working switch frequency: 50Hz

RS232、RS485 and RS422 interface:

- Four configuration mode: double channel RS232 / double channel RS485/One channel RS232 + One channel RS485/ One channel RS422
- Work rate set (by mfg only): 0~115.2Kbps at any rate

Optical Interface

- Wave length: multi-mode 850nm、1310 nm; single mode 1310 nm、1550nm
- Fiber type: multi-mode 50/125um、62.5/125um、100/140um;single mode 8.3/125 um、9/125um、10/125um
- Transmission distance: multi-mode 2km, single mode 20km.
- Fiber interface type: ST/SC/FC (optional); ST (standard configuration).

Power and protection

- Power: DC(18~36V)dual redundant power input, industrial standard24V (+/-5%) power supply,With power polarity and reverse connect protection, adopt 3 cores 5.08mm industrial terminal port.
- No-load power:<1.5W@24VDC
- Full-load power:<5.0W@24VDC

Mechanical

- Dimensions: 136mm×54mm×106mm (H×W×D)
- Casing: IP30 protection, Metal case
- Installation: 35mmDIN-Rail, Wall Mounting.
- Weight:800g

Environmental

- Operating Temperature: -40°C to 75°C
- Storage Temperature: -40°C to 85°C
- Ambient Relative Humidity: ≤90% (non-condensing)

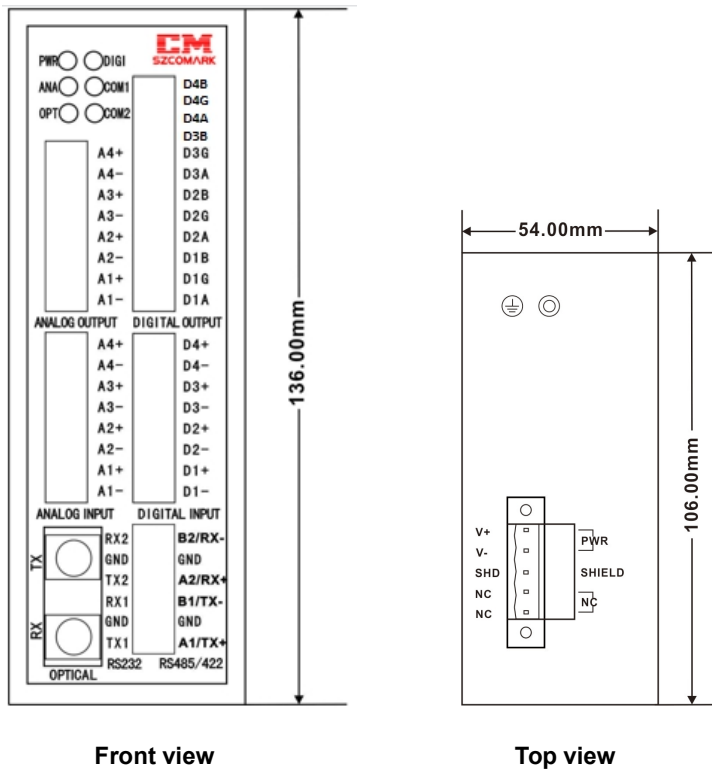
Warranty

- Warranty period : 5 years

Standards and Certifications

- IEC61000-4-2(ESD): Power ±6KV Contact, ± 8KV Air; Relay ±4KV Contact, ±4KV Air; Data Cable ±4KV Air
- IEC61000-4-4(EFT):Power ±4KV, Data Cable ±4KV
- IEC61000-4-5(Surge):Power ±2KV CM/ ±4KV DM, Relay±2KV CM/ ±4KV DM
- IEC60068-2-27(Shock)
- IEC60068-2-32(Free Fall)
- IEC61000-6-2(General Industrial Standard),IEC61850-3, IEEE1613
- EN50121-4 (rail transit)

Dimensions(mm)



Models

Model	Specifications and introduce
Cj-KFx1	1~4 channel unidirectional CC signal fiber optic converters, dry contact closure input SPDT Form C relay output, SM fiber 0 ~ 20Km,ST/SC/FC (optional).
Cj-KFx2	1~4 channel bidirectional CC signal fiber optic converters, dry contact closure input SPDT Form C relay output, SM fiber 0 ~ 20Km,ST/SC/FC (optional).
Cj-AFx1	1~4 channel unidirectional analog signal fiber optic converters, 4-20mA, SM fiber 0 ~ 20Km, ST/SC/FC (optional).
Cj-AFx2	1~4 channel bidirectional analog signal fiber optic converters, 4-20mA, SM fiber 0 ~ 20Km, ST/SC/FC (optional).
Cj-VFx1	1~4 channel unidirectional analog signal fiber optic converters, 0-10VDC, SM fiber 0 ~ 20Km, ST/SC/FC (optional).
Cj-VFx2	1~4 channel bidirectional analog signal fiber optic converters, 0-10VDC, SM fiber 0 ~ 20Km, ST/SC/FC (optional).
Cj-SFx1	1~2 chs serial signal fiber optic converters, RS232/.RS485/RS422, SM fiber 0 ~ 20Km, ST/SC/FC (optional).
Cj-MF420	Analog signal digital signal fiber multiplexer, 2 chs analog signal, 2 chs digital signal, single and dual multiplexing transmission optional, used for SM fiber 0 ~ 20Km,ST/SC/FC (optional).
Cj-MF620	Analog signal digital signal fiber multiplexer, 1 ~ 4 chs analog signal/1 ~ 4 chs digital signal, 1 ~ 2 chs RS232/485/422 multiplexing, single and dual multiplexing transmission optional, used for SM fiber 0 ~ 20Km,ST/SC/FC (optional).

Package List

- Multi-channel fiber optic converter (with industrial terminal block for power equipment)
- Product specification
- Product warranty card