

## 6-Port Gigabit Compact Ethernet Switch



- 1~4 gigabit Ethernet ports, Auto-negotiation speed, auto Full/Half Duplex Mode, and auto MDI/MDI-X connection
- 0~2 1000M SFP ports, 1000M optic fiber(SM/MM) or RJ45 interface module optional
- Support wide range voltage 85~265V AC power input and over-current protection function
- Metal housing with IP40 protection, support high EMC level
- DIN-Rail Mounting and Wall Mounting supported
- Wide Operating Temperature (-40~85°C) to satisfy harsh industrial environment

### Product Overview

6-Port Gigabit Compact Industrial Ethernet Switch is designed with IP40 metal housing and high level EMC protection, supports Auto-Negotiation speed, power input with wide range voltage, 1~4\*10/100/1000BaseT(X) RJ45 ports and 0~2 1000M SFP ports, and DIN35 rail or wall mounting for the different industrial circumstances. It can work in harsh -40~85°C environment to provide the reliability and flexibility for your industrial Ethernet solution.

### Features

- Support for IEEE802.3/802.3u/802.3ab/802.3z, store-and-forward switching
- 4\*10/100/1000Base-T(X) RJ45 ports, support Auto-Negotiation speed (10M/100M), auto Full Duplex/Half Duplex mode, auto MDI/MDI-X connection
- 0~2 1000M SFP ports (1000Base-X, 1000Base-T optional), max distance to 120km
- Metal housing with IP40 and high level EMC protection
- Support wide range voltage 85~265V AC power input and over-current protection function
- Work in -40~85°C wide temperature

### Specifications

#### Technical Standard

- Protocol: IEEE802.3、IEEE802.3u、IEEE 802.3ab、IEEE 802.3z

#### Interface

- RJ45 port: 10/100/1000BaseT(X) speed Auto-Negotiation, Full/Half Duplex mode, MDI/MDI-X connection
- SFP port: 1000Base-X, SFP Copper 1000Base-T optional, support for twisted pair transmission

#### Switching Characteristic

- 10M Frame Forward Rate:14881pps
- 100M Frame Forward Rate:148810pps
- 1000M Frame Forward Rate:1488096pps
- Forward Mode:store-and-forward
- Switching Bandwidth:12Gbps
- Cache Size:1Mbits

- MAC Address Table:1K

#### Power Supply

- Input: Wide DC power input 85~265V AC (220V typical) with 7.62mm industrial power terminal

#### Physical Characteristic

- Dimensions(W×H×D):40mm×128mm×102mm
- Weight:300g
- Housing: Metal, IP40 protection
- Installation: Wall mounting or DIN rail mounting

#### Environment Limits

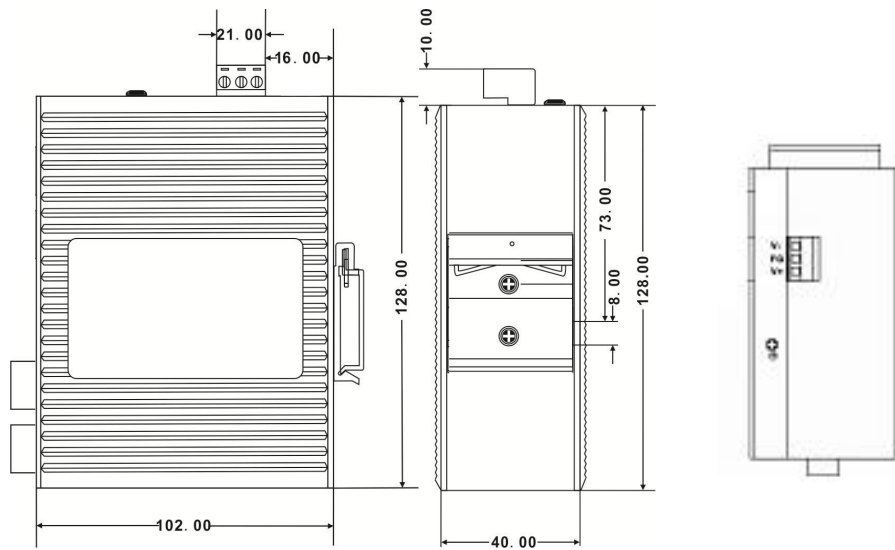
- Work Temp:-40°C~85°C
- Storage Temp:-40°C~85°C
- Relative Humidity:5%~95%(non-condensing)

#### Warranty

- Warranty Period: 5 years

- IEC61000-4-2(ESD):±8KV Contact, ±15KV Air (150KHZ-80MHZ)
- IEC61000-4-3(RS):10V/M(80-1000MHZ)
- IEC61000-4-4(EFT):Power ±2KV, Data Cable ±4KV
- IEC61000-4-5(Surge):Power ±2KV CM/ ±1KV DM, Data Cable±4KV
- IEC61000-4-6(CS):3V (10KHZ-150KHZ), 10V
- IEC61000-4-16(MS):30V COUNT 300V, 1S
- IEC60068-2-6(Vibration)
- IEC60068-2-27(Shock)
- IEC60068-2-32(Free Fall)
- IEC61000-6-2(General Industrial Standard)

## Dimensions(mm)



## Models

Model	Description
Ck1242A	6-Port Gigabit Compact Ethernet Switch, 4*10/100/1000Base-T(X) RJ45 ports, 2*1000M SFP ports (1000Base-X, 1000Base-T optional), -40°C~85°C.
Ck1241A	6-Port Gigabit Compact Ethernet Switch, 4*10/100/1000Base-T(X) RJ45 ports, 1*1000M SFP ports (1000Base-X, 1000Base-T optional), -40°C~85°C.
Ck1211A	6-Port Gigabit Compact Ethernet Switch, 1*10/100/1000Base-T(X) RJ45 ports, 1*1000M SFP ports (1000Base-X, 1000Base-T optional), -40°C~85°C.

## Package List

- 6-Port Gigabit Compact Ethernet Switch with industrial power terminal
- Product Manual
- Product Warranty